

Pedestrian lowlifter truck 1.4 - 1.6 ton



BT levio

W-series

LWE140

LWE160



Pedestrian lowlifter truck

| Specification for lowlifter trucks | | | | | | LWE140 | LWE160 |
|------------------------------------|--------|--|----------------------------------|-------|--------------------|--------------------|--------------|
| Identification | 1.1 | Manufacturer | | | | Toyota | Toyota |
| | 1.2 | Model | | | | LWE140 | LWE160 |
| | 1.3 | Drive | | | | Electric | Electric |
| | 1.4 | Operator type | | | | Pedestrian | Pedestrian |
| | 1.5 | Load capacity/rated load | Q | kg | 1400 | 1600 | |
| | 1.6 | Load centre | c | mm | 600 | 600 | |
| | 1.8 | Load distance, centre of support arm wheel to face of forks (forks raised/lowered) | x | mm | 928/983 *) | 928/983 *) | |
| | 1.9 | Wheelbase (forks raised/lowered) | y | mm | 1260/1315 | 1317/1372 | |
| | Weight | 2.1 | Service weight including battery | | kg | 419 | 472 |
| 2.2 | | Axle load, with load, drive/castor/fork wheel | | kg | 590/150/1115 | 695/150/1275 | |
| 2.3 | | Axle load, without load, drive/castor/fork wheel | | kg | 200/150/105 | 255/150/115 | |
| Wheels | 3.1 | Drive/castor/fork wheel | | | | Polyurethane | Polyurethane |
| | 3.2 | Wheel size, front | | mm | Ø230x70 | Ø230x70 | |
| | 3.3 | Wheel size, rear | | mm | Ø85x100 | Ø85x100 | |
| | 3.4 | Additional wheels (dimensions) | | mm | Ø125x50 | Ø125x50 | |
| | 3.5 | Wheels, number front/rear (x = driven wheels) | | | 1x+ 2/2 or 4 | 1x+ 2/2 or 4 | |
| | 3.6 | Track width, front | b ₁₀ | mm | 430 | 430 | |
| | 3.7 | Track width, rear | b ₁₁ | mm | 394 | 394 | |
| Dimensions | 4.4 | Lift | h ₃ | mm | 120 | 120 | |
| | | Lift height | h ₂₃ | mm | 205 | 205 | |
| | 4.9 | Height of tiller in drive position, min./max. | h ₁₄ | mm | 865/1235 | 865/1235 | |
| | 4.15 | Height, fork lowered | h ₁₃ | mm | 85 | 85 | |
| | 4.19 | Overall length | l ₁ | mm | 1631 | 1688 | |
| | 4.20 | Length to face of forks | l ₂ | mm | 481 | 538 | |
| | 4.21 | Overall width | b ₁ | mm | 726 | 726 | |
| | 4.22 | Fork dimensions | s/e/l | mm | 76/156/1150 *) | 76/156/1150 *) | |
| | 4.25 | Width over forks | b ₅ | mm | 550 *) | 550 *) | |
| | 4.32 | Ground clearance, centre of wheelbase | m ₂ | mm | 21 | 21 | |
| | 4.34.1 | Aisle width for pallets 1000x1200 crossways | A _{st} | mm | 2233 | 2290 | |
| | 4.34.2 | Aisle width for pallets 800x1200 lengthways | A _{st} | mm | 2113 | 2170 | |
| | 4.35 | Turning radius | W _a | mm | 1429 | 1486 | |
| Performance data | 5.1 | Travel speed, with/without load | | km/h | 6/6 | 6/6 | |
| | 5.2 | Lift speed, with/without load | | m/s | 0,04/0,05 | 0,04/0,05 | |
| | 5.3 | Lowering speed, with/without load | | m/s | 0,09/0,08 | 0,09/0,08 | |
| | 5.8 | Max. gradeability, with/without load | | % | 8/18 ¹⁾ | 8/18 ¹⁾ | |
| | 5.10 | Service brake | | | Electromagnetic | Electromagnetic | |
| Electric motor | 6.1 | Drive motor rating S2 60 min | | kW | 1,0 | 1,0 | |
| | 6.2 | Lift motor rating at S3 15% | | kW | 1,0 ²⁾ | 1,0 ²⁾ | |
| | 6.4 | Battery voltage/nominal capacity K _s | | V/Ah | 24/150 | 24/225 *) | |
| | 6.5 | Battery weight | | kg | 144 ¹⁾ | 192 ¹⁾ | |
| | 6.6 | Energy consumption acc. to VDI cycle | | kWh/h | 0,28 | 0,28 | |
| | | Energy consumption acc. to EN16796:2016 | | kWh/h | 0,27 | 0,27 | |
| | 6.7 | Turnover output | | t/h | 86,5 | 104,5 | |
| | 6.8 | Energy consumption at turnover output | | kWh/h | 0,65 | 0,72 | |
| Others | 8.1 | Type of drive control | | | Variable AC | Variable AC | |

¹⁾ Measured according to company standard

²⁾ S3 10%

*) Further alternatives are available and will produce other values.

Data is based on standard configurations: Small battery compartment (LWE140) and Medium battery compartment (LWE160).

Truck performance and dimensions are nominal and subject to tolerances.

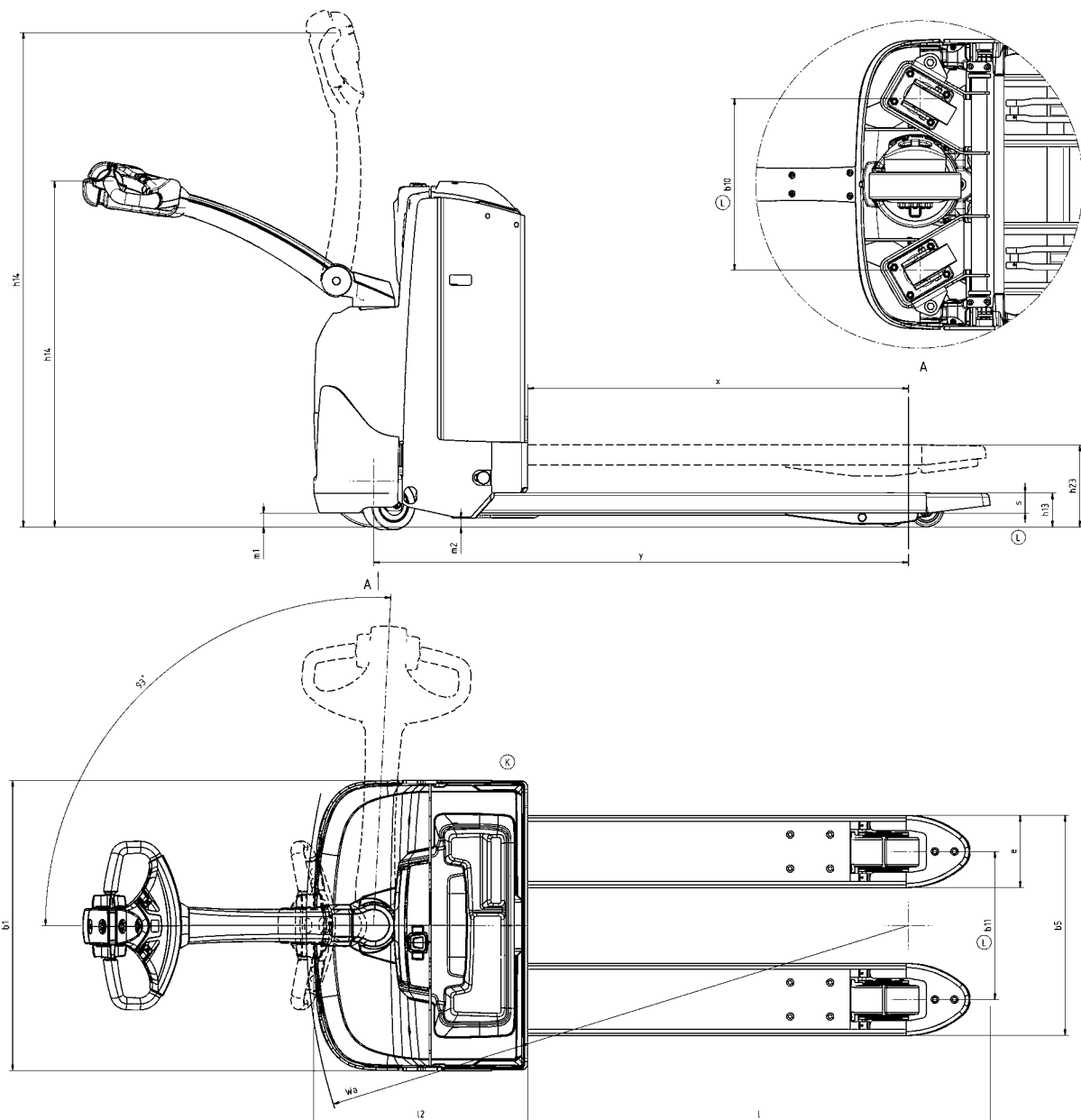
Toyota Material Handling products and specifications are subject to change without notice.

Battery dependent dimensions

BT levio

| Dimensions | | Battery type | | LWE140, LWE160 | | | |
|------------|---|---------------------|------|----------------|-----------|-----------|-----------|
| | | | | Lead/Acid | | Li-Ion | |
| | | Battery Compartment | | Small | Medium* | Small | Medium* |
| 1.9 | Wheelbase, forks raised/lowered | y | mm | 1260/1315 | 1317/1372 | 1260/1315 | 1317/1372 |
| 2.1 | Service weight including battery | | kg | 419 | 472 | 328 | 351 |
| 4.19 | Overall length | l_1 | mm | 1631 | 1688 | 1631 | 1688 |
| 4.20 | Length to face of forks | l_2 | mm | 481 | 538 | 481 | 538 |
| 4.34.1 | Aisle width for pallets 1000x1200 crossways | A_{st} | mm | 2233 | 2290 | 2233 | 2290 |
| 4.34.2 | Aisle width for pallets 800x1200 lengthways | A_{st} | mm | 2113 | 2170 | 2113 | 2170 |
| 4.35 | Turning radius, forks raised | W_a | mm | 1429 | 1486 | 1429 | 1486 |
| 6.4 | Battery voltage, nominal capacity | K_s | V/Ah | 24/150 | 24/225 | 24/105 | 24/150 |
| 6.5 | Battery weight, nominal | | kg | 144 | 192 | 50 | 71 |
| | Battery weight, min. - max. | | kg | 120 - 175 | 180 - 235 | 45 - 55 | 64 - 78 |

*Valid for LWE160.



Truck features:

- BT Powerdrive System
- BT Castorlink System
- Click-2-creep
- Fingertip controls
- Temporary speed reduction - turtle button (option)
- Electronic braking system
- Electronic speed control
- Operator safety
- Storage compartments
- Automatic switch-off
- Programmable performance
- Easy access for maintenance
- Built in charger (option)
- Toyota I_site: truck fleet management system (option)
- Hydraulic oil for low temperatures (option)

